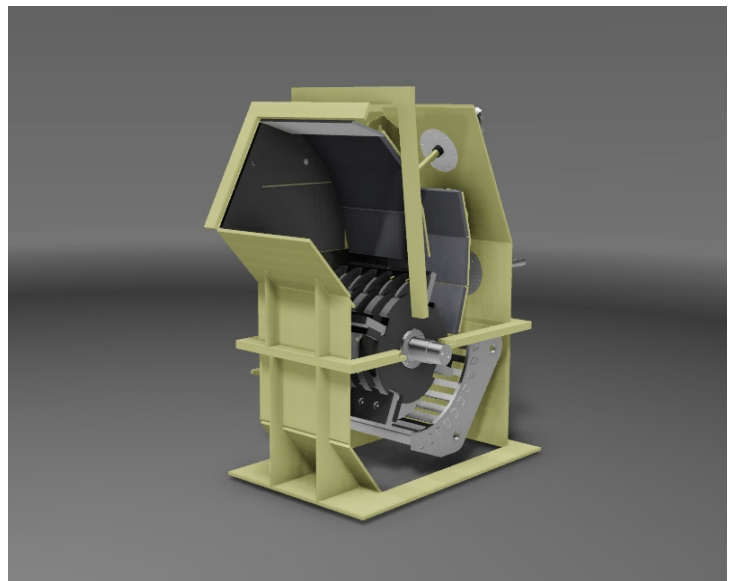
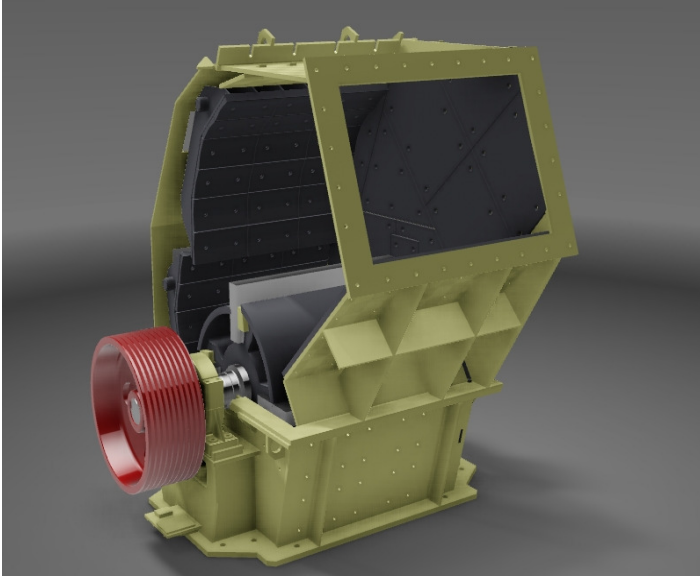


IMPACT CRUSHERS SERIES GI



GI Series Crushers are used for crushing medium-hard materials such as limestone, marl, coal, gypsum, glass, sandstone, ceramic, asphalt, etc. Also suitable for recycling of construction materials and crushing reclaimed. In special Heavy Duty version crushers are designed for crushing of hard materials

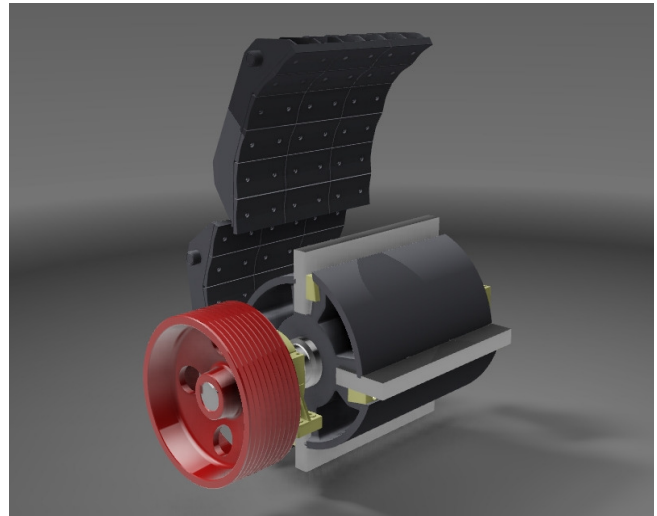
ADVANTAGES:

performance:

Crushing systems available:

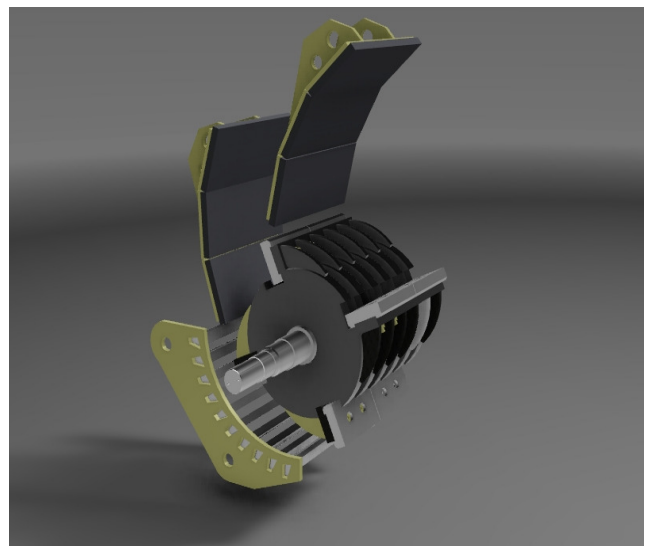
- Two impact/grading plates
- Three impact/grading plates
- Two impact/grading plates with screening grid

The correct ratio of impeller diameter to the length, appropriately selected power, and the ability to use different crushing systems, all this has improved the efficiency and effectiveness of GI series machines



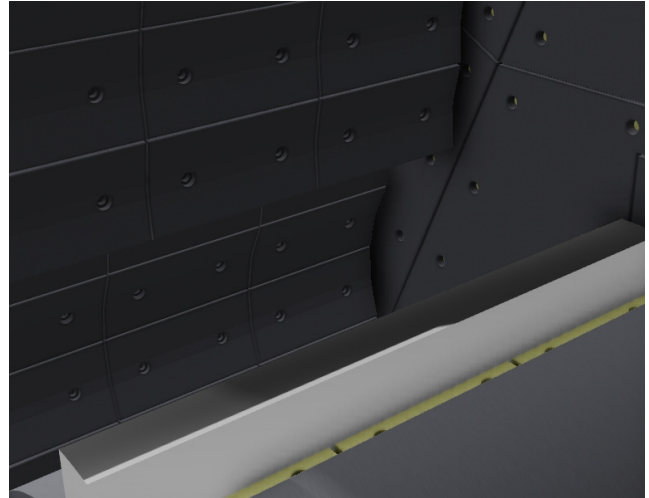
The overload protection:

Thanks to the two security systems, mechanical or hydraulic and electrical - plant is protected against overloads and materials that can't be crushed and tramp metal.



Assembly and disassembly:

Many years of experience in the construction, maintenance and repair of crushers helped to design crushers that are easier to assemble and disassemble than competitors' machines.

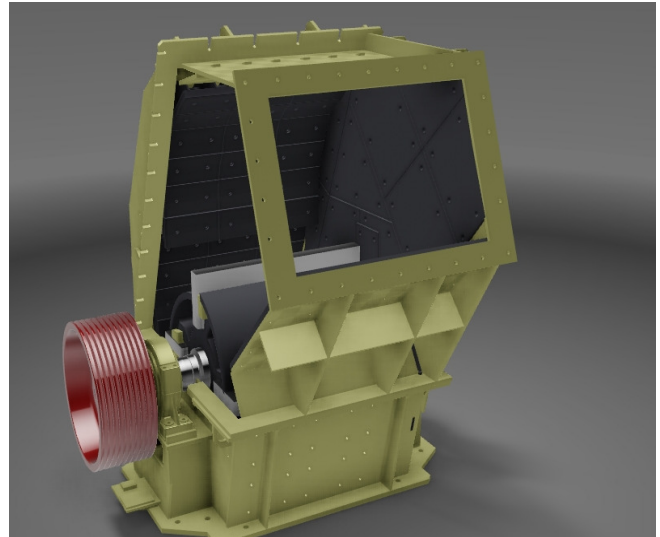


Longer time between overhauls:

New design solutions and materials used in GJ crushers construction contribute to increased component life and reduced weight of the machine.

Oversized bearings allow for longer trouble-free operation of crushers

Spare parts for crushers are designed in such a way that they can be easily replaced with small lifting devices.



TECHNICAL SPECIFICATION:**IMPACT CRUSHERS**

Crusher	Rotor Diameter [mm]	Maximum Feed Size [mm]	Product Size [mm]	Capacity [m ³ /h]	Power [kW]	Weight [kg]
GI-67	Ø600x700	200	0-30	do 40	45	4000
GI-76	Ø700x600	250	0-50	do 60	55	4500
GI-86	Ø800x600	300	0-50	do 80	75	5000
GI-88	Ø800x800	350	0-80	do 120	90	6000
GI-106	Ø1000x600	350	0-100	do 150	90	6000
GI-1010	Ø1000x1000	550	0-100	do 220	132	9000
GI-1012	Ø1000x1200	600	0-150	do 320	160	12000